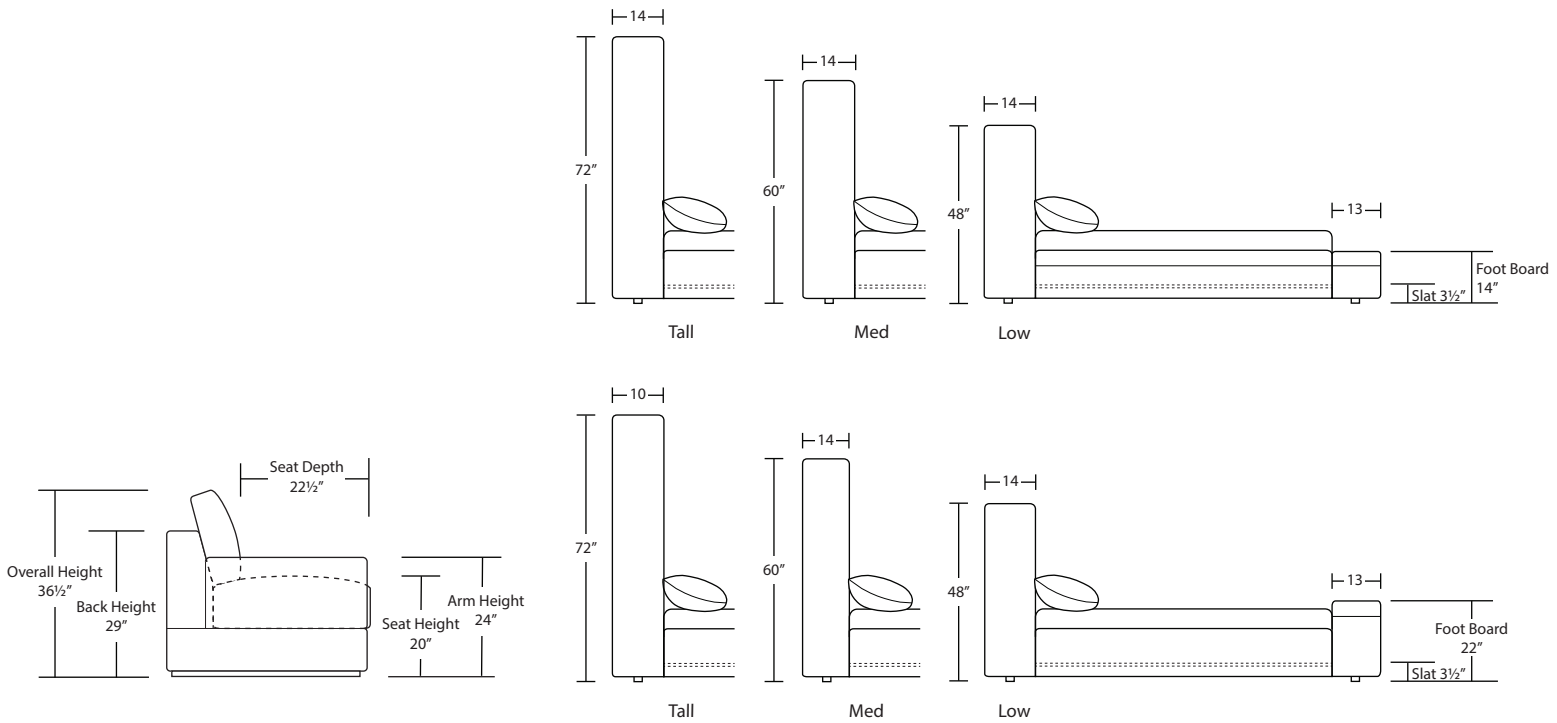
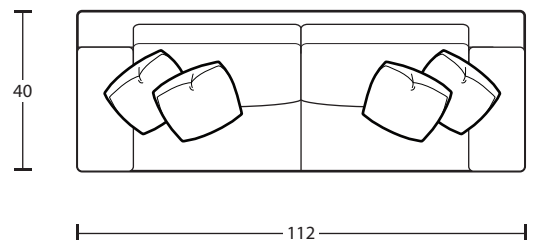
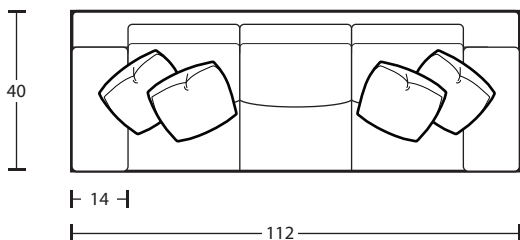


GRAND CANYON

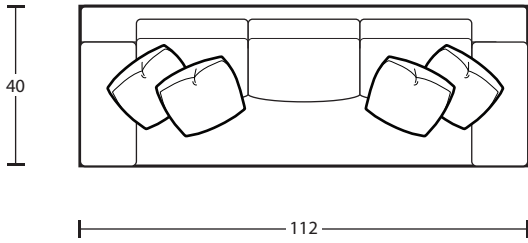


SOFA (3/3)

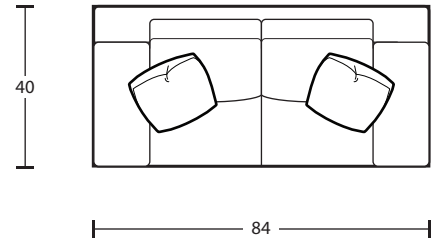
SOFA (2/2)



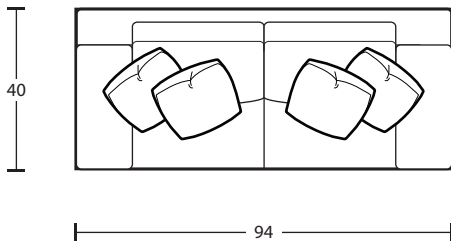
SOFA (3/1)



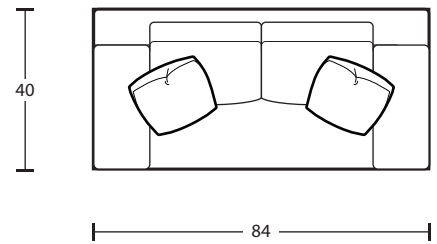
LOVESEAT (2/2)



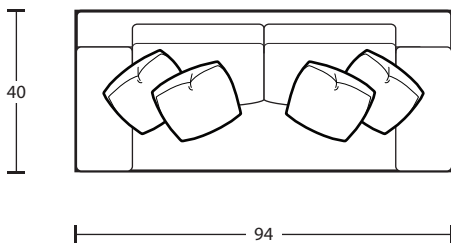
STUDIO SOFA (2/2)



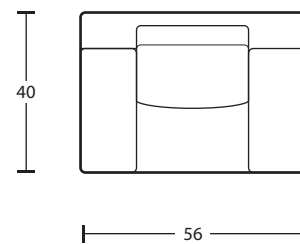
LOVESEAT (2/1)



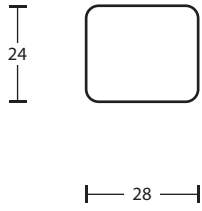
STUDIO SOFA (2/1)



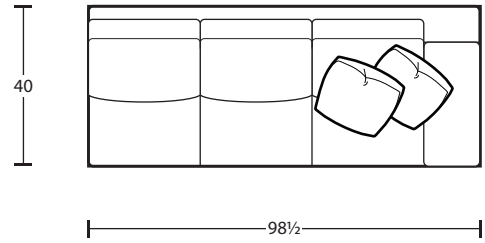
CHAIR / 360 SWIVEL CHAIR



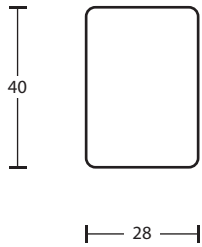
OTTOMAN



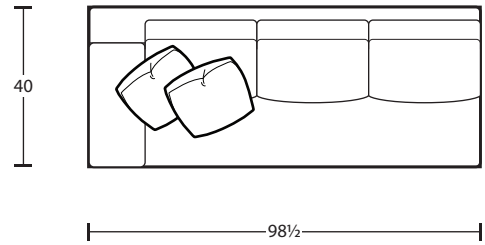
RAF 1 ARM SOFA (3/3)



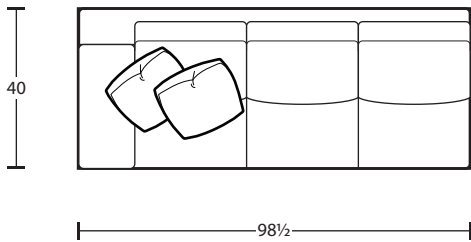
BUMPER OTTOMAN



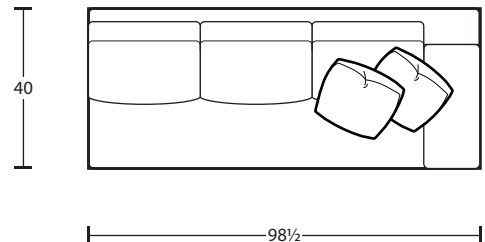
LAF 1 ARM SOFA (3/1)



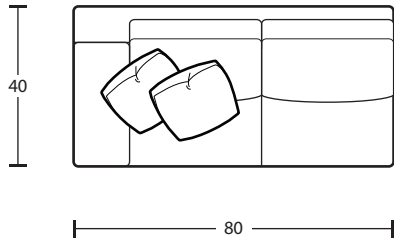
LAF 1 ARM SOFA (3/3)



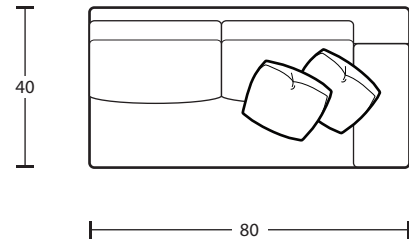
RAF 1 ARM SOFA (3/1)



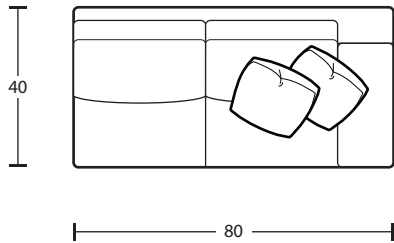
LAF 1 ARM STUDIO SOFA (2/2)



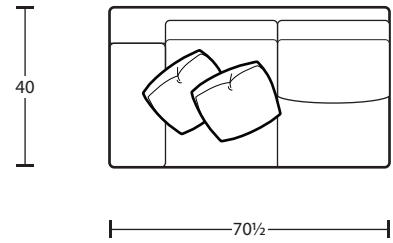
RAF 1 ARM STUDIO SOFA (2/1)



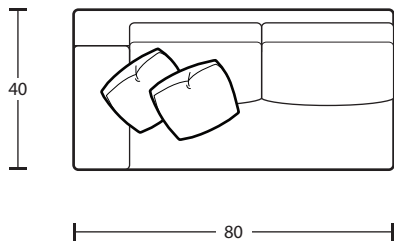
RAF 1 ARM STUDIO SOFA (2/2)



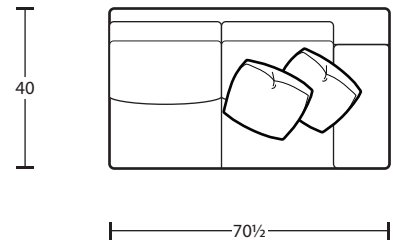
LAF 1 ARM LOVESEAT (2/2)



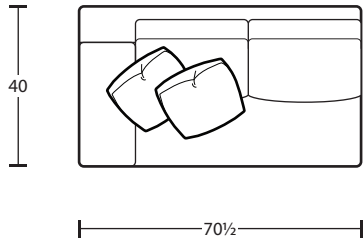
LAF 1 ARM STUDIO SOFA (2/1)



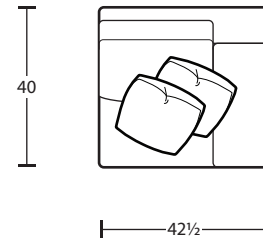
RAF 1 ARM LOVESEAT (2/2)



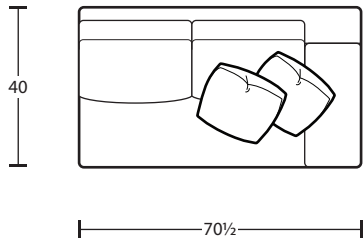
LAF 1 ARM LOVESEAT (2/1)



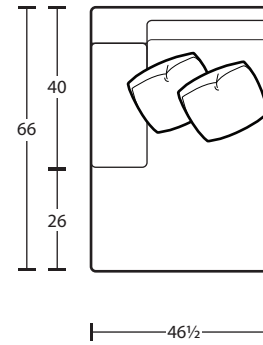
RAF 1 ARM CHAIR



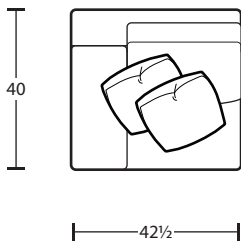
RAF 1 ARM LOVESEAT (2/1)



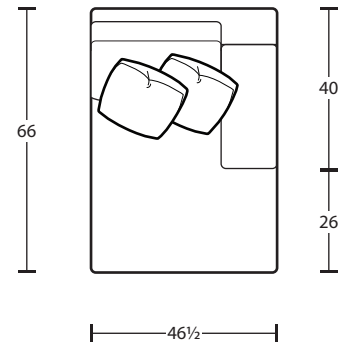
LAF 1 ARM CHAISE



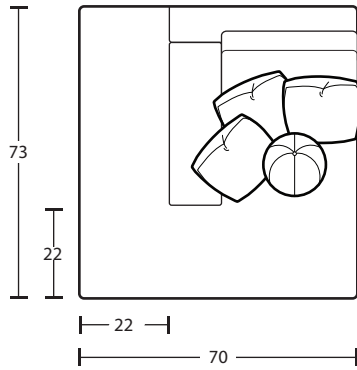
LAF 1 ARM CHAIR



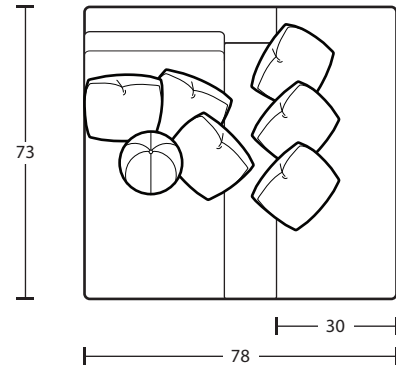
RAF 1 ARM CHAISE



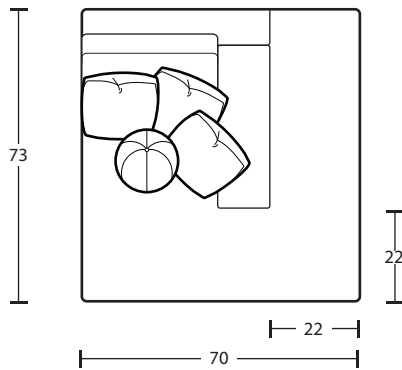
LAF 1 ARM ISLAND (LOW & TALL ARM)



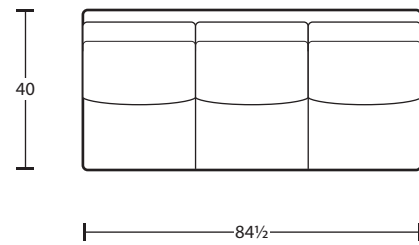
RAF PENINSULA (LOW & TALL ARM)



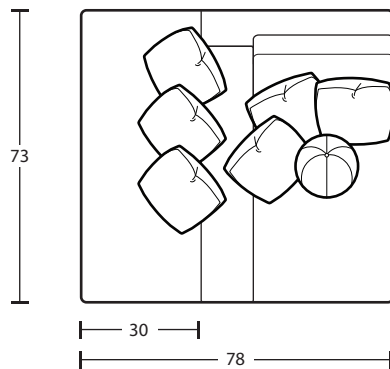
RAF 1 ARM ISLAND (LOW & TALL ARM)



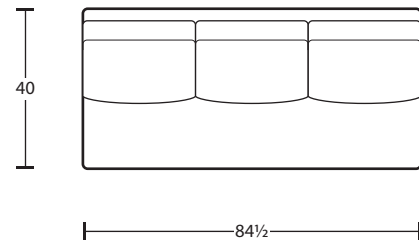
ARMLESS SOFA (3/3)



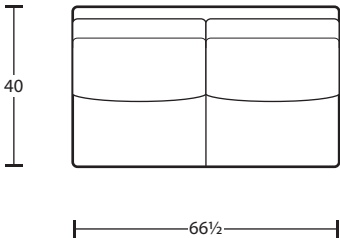
LAF PENINSULA (LOW & TALL ARM)



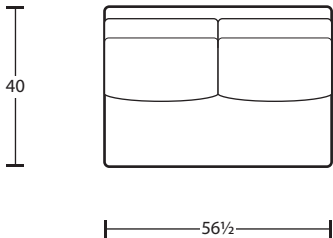
ARMLESS SOFA (3/1)



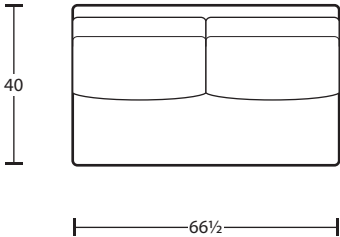
ARMLESS STUDIO SOFA (2/2)



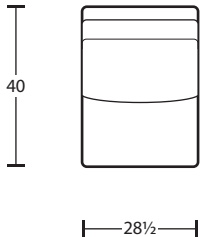
ARMLESS LOVESEAT (2/1)



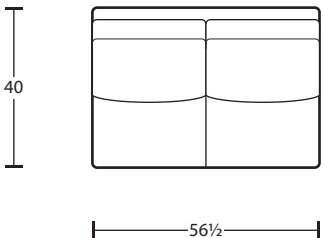
ARMLESS STUDIO SOFA (2/1)



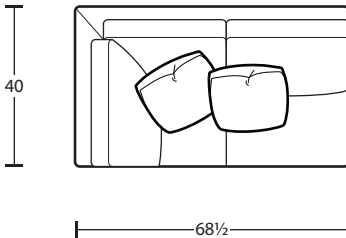
ARMLESS CHAIR



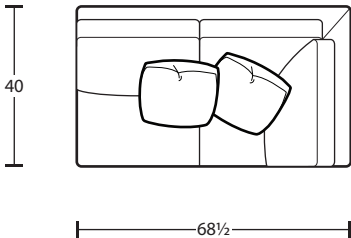
ARMLESS LOVESEAT (2/2)



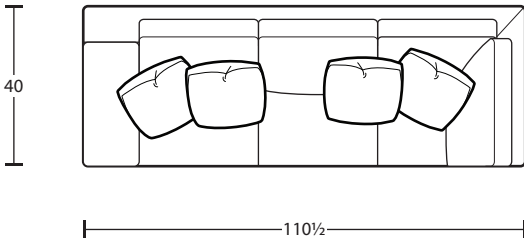
ARMLESS LS W/ LT RETURN (3/2)



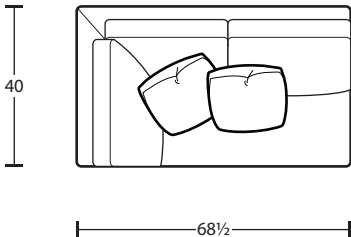
ARMLESS LS W/ RT RETURN (3/2)



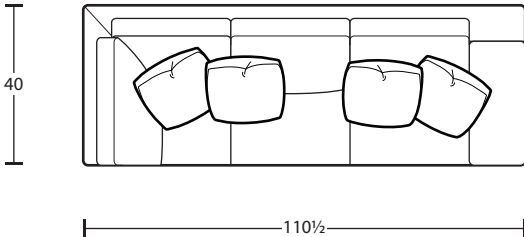
LAF SOFA W/ RETURN (4/3)



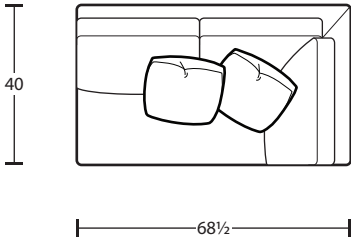
ARMLESS LS W/ LT RETURN (3/1)



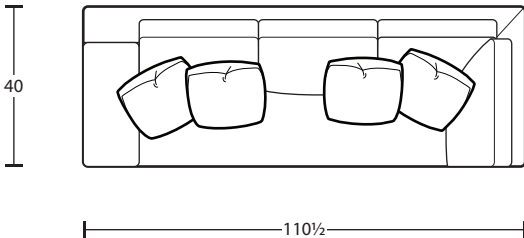
RAF SOFA W/ RETURN (4/3)



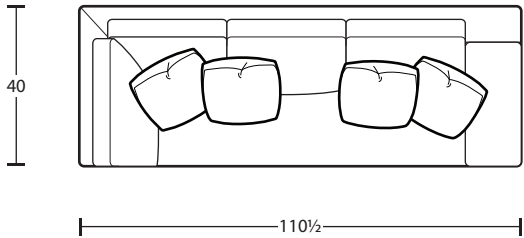
ARMLESS LS W/ RT RETURN (3/1)



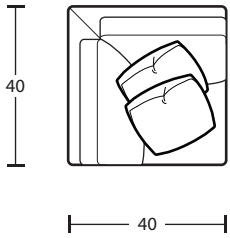
LAF SOFA W/ RETURN (4/1)



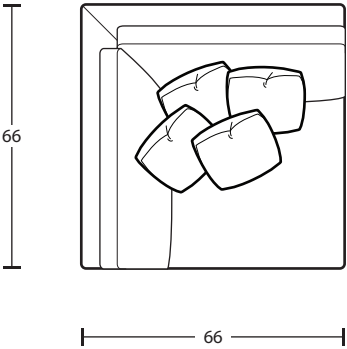
RAF SOFA W/ RETURN (4/1)



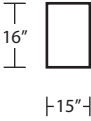
SQUARE CORNER



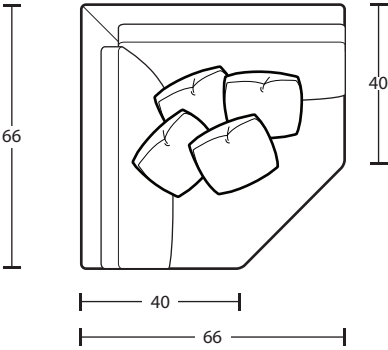
CORNER CHAISE



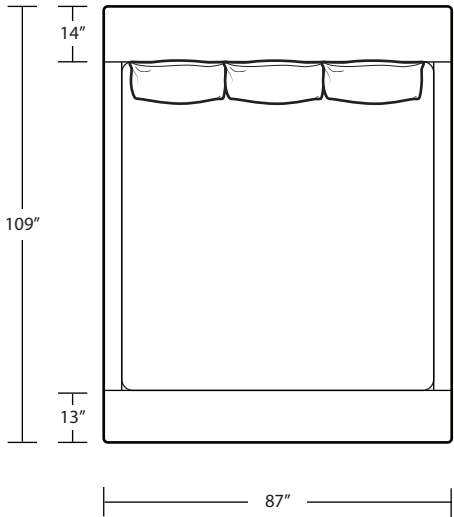
ARM TRAY 15W X 16D X 5H



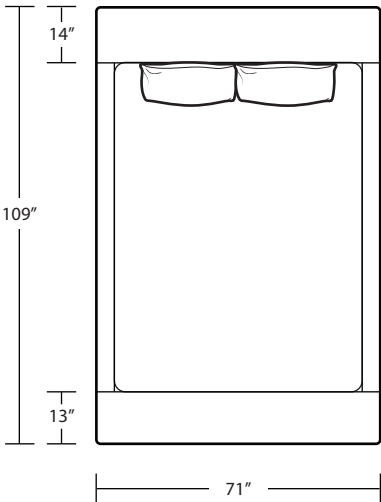
CORNER WEDGE



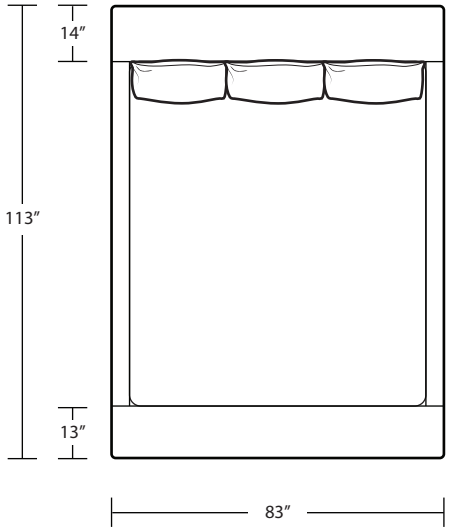
EASTERN KING BED



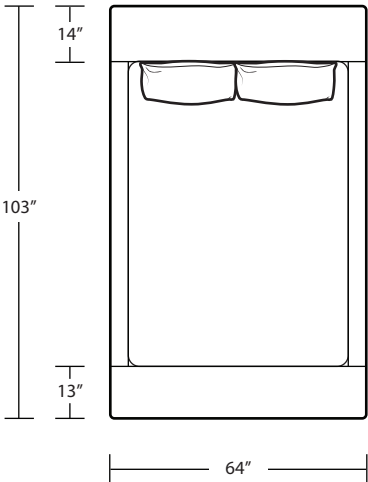
QUEEN BED



CAL KING BED



FULL BED



Top View Scale: 1/4" = 1 foot
Seat Depth May Vary Depending on Back Pillow Placement
All dimensions are approximate and subject to change

TWIN BED

